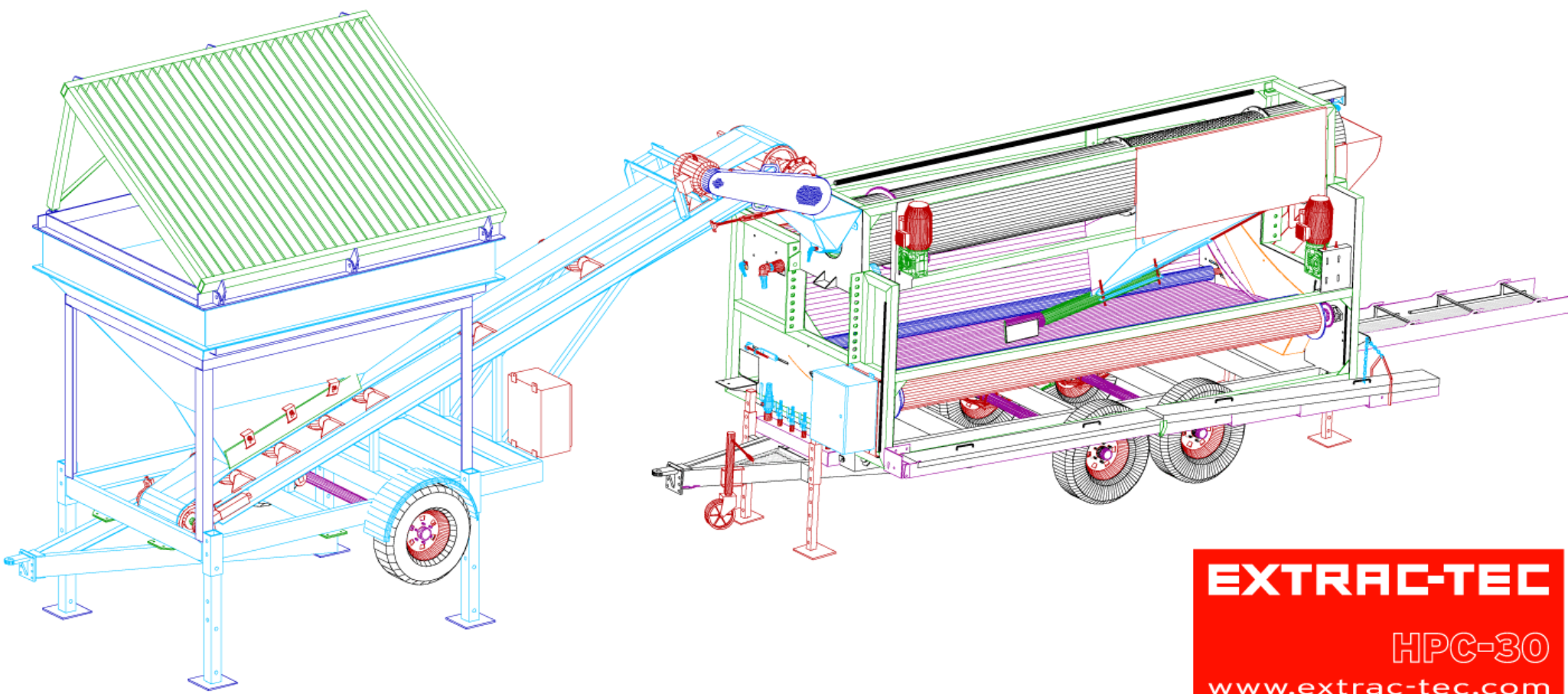


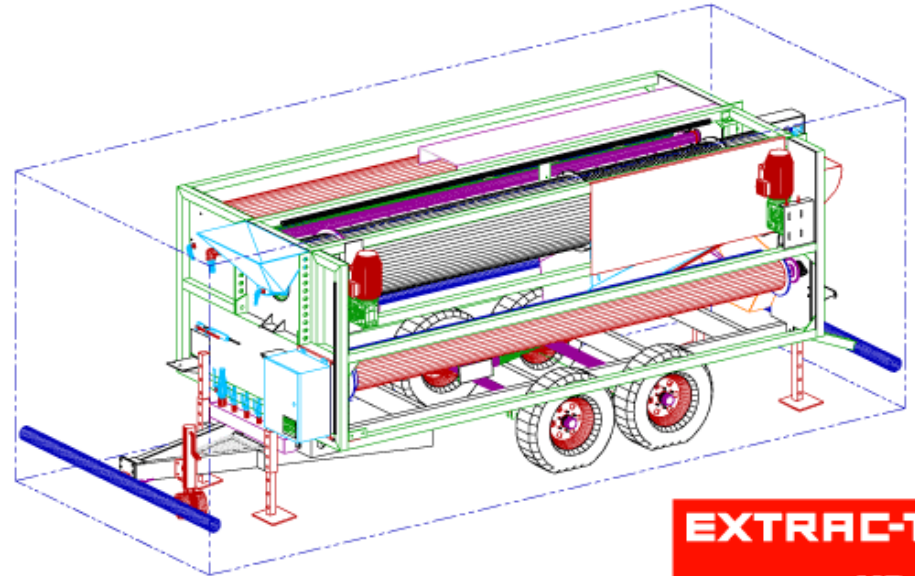
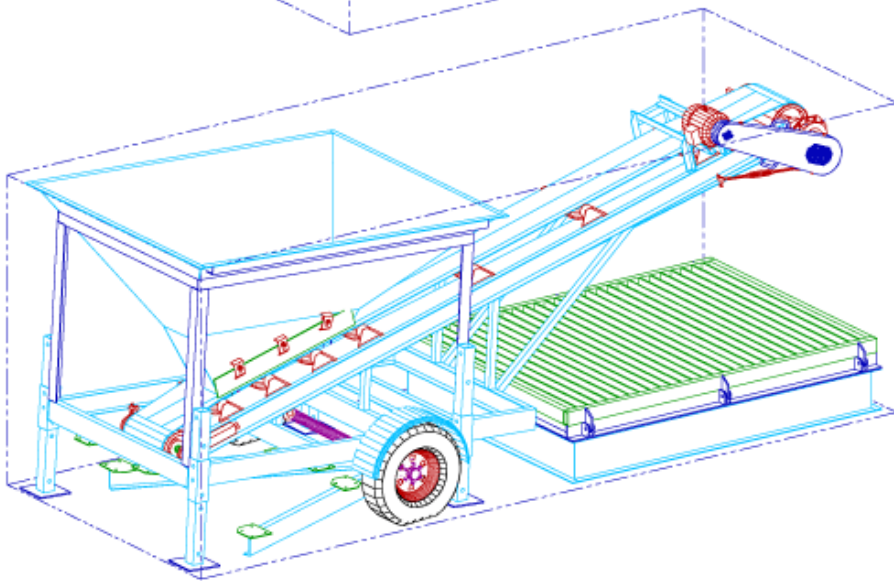
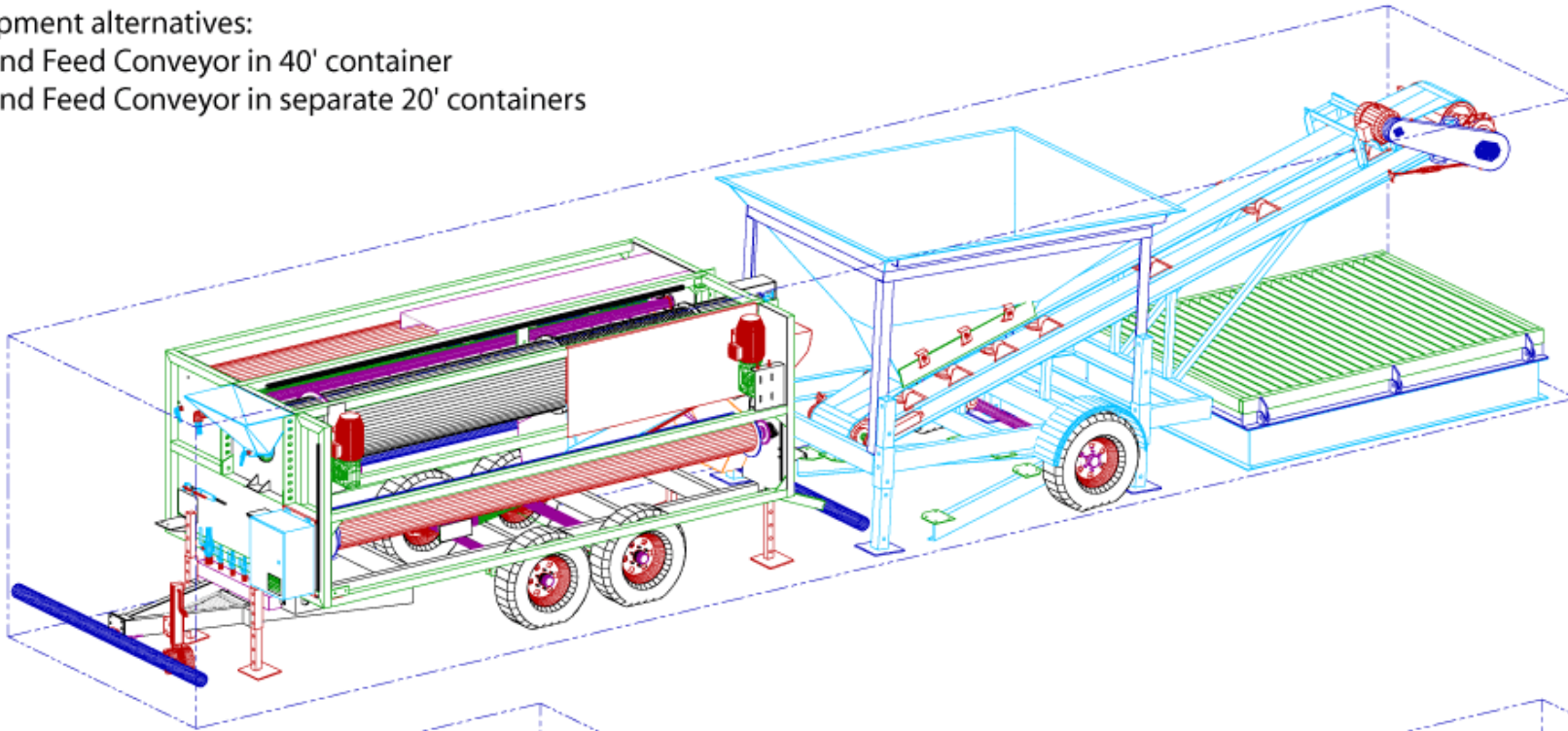
HPC-30 with Feed Conveyor



EXTRAC-TEC
HPC-30
www.extrac-tec.com

Ocean Shipment alternatives:

- HPC-30 and Feed Conveyor in 40' container
- HPC-30 and Feed Conveyor in separate 20' containers



EXTRAC-TEC

HPC-30

www.extrac-tec.com

HPC-30 Feed Conveyor Specifications

- Feeder is custom designed to suit the HPC-30
- Hopper of ¼" plate steel with approximately 6 ton capacity
- 6' x 8' top opening with 3" Grizzly
- Extendable support legs
- 18" radial control gate (manual)
- 18" X 18' Conveyor
- 2.2kW / 3 HP electric motor
- Electrical Supply must be 3- Phase 380-480V and 50/60Hz. (can be configured to accept Single Phase power - needs to be specified on order).
- Shaft mounted gear reduction V-belt drive
- Lagged head pulley and Wing tail pulley
- Full length skirt boards
- 2 ply – 220 PIW conveyor belting with 3/16" x 1/16" covers
- VFD Controller for speed adjustment with detachable cabinet which mounts on HPC-30
- Mobile single axel design
- Ships in 20' container (or together with HPC-30 in 40' container)

Note: Specifications may be changed without notice