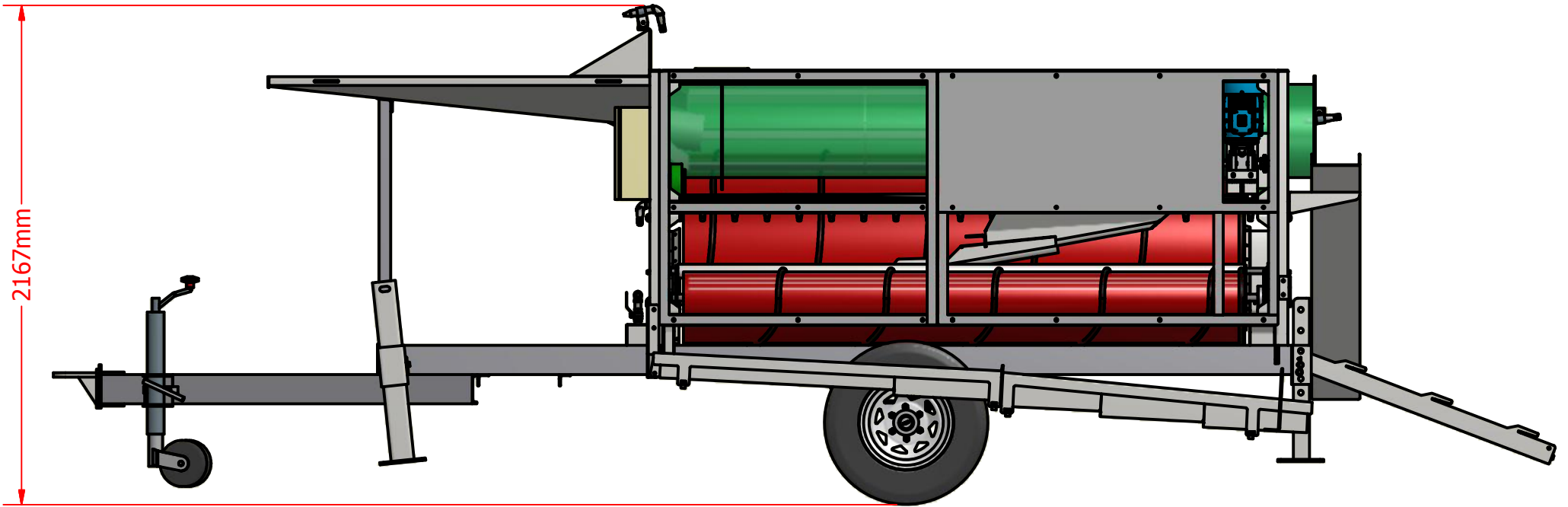
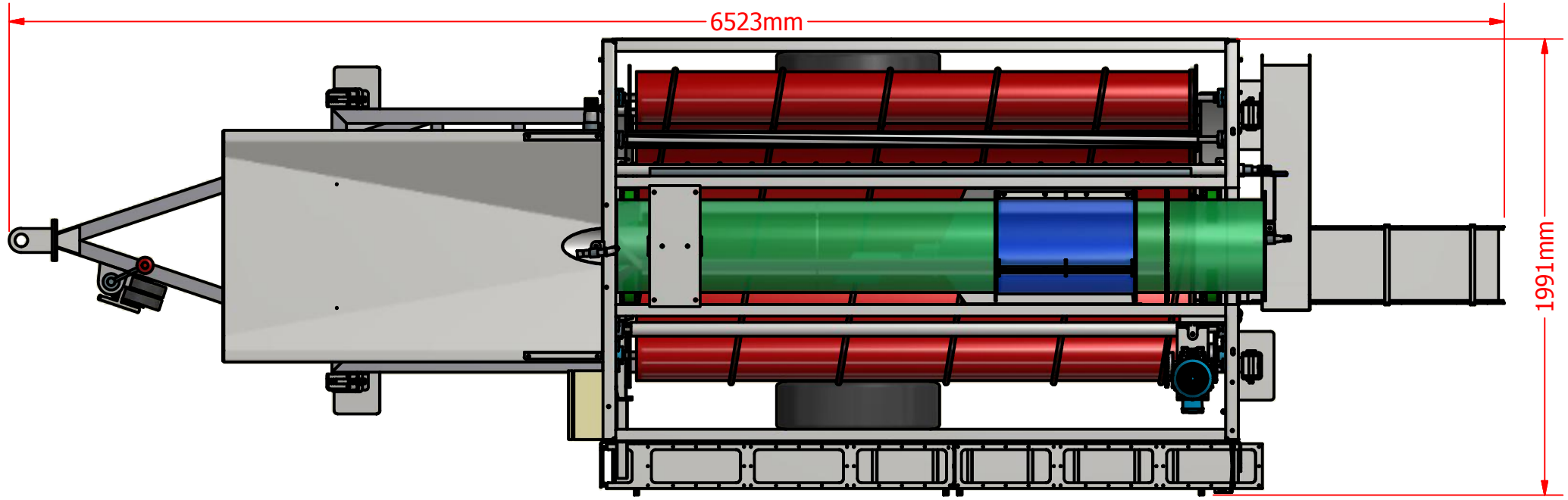


HPC-10 Specifications

For additional information
please email us at
info@extrac-tec.com

Applications	The HPC-10 is a simple, compact, mobile concentrator, the HPC-10 is designed for exploration and bulk sampling, integrating all components into a single trailer-mounted unit. Easy to move and operate, the versatile HPC-10 offers an unbeatable recovery rate down to ultra-fine particles to guarantee accurate and scalable sampling.
Capacity	Capacity of HPC machines is defined according to the rate at which they will consume / process a stockpile of raw feed material ("Run of Mine" or "Bank-run" material). This is material typical of Placer deposits which contain large and small rocks, gravel, stones and sandy material. Processing capacity is limited primarily by the fraction of undersize material screened from this raw feed and fed onto the HPC's Concentrator Belt. Accordingly, should you feed the HPC machine with material which is already undersize (or the deposit you are processing consists mostly of fine/sandy material), all of this material will pass directly to the concentrator belt and the effective operating capacity of the machine will be based on this. Please refer to the attached Production Capacity Tables and Material Flow Diagrams for capacity information corresponding to the material to be processed.
Drive System	<ul style="list-style-type: none"> Concentrator Belt and Trommel drive system: 1.5kW (2.0 HP) 3-phase Drive Motor with Reduction Gearbox. Motor is controlled by a Digital Variable Frequency Controller housed within a waterproof enclosure. <p>Note: Single-phase power supplied to the HPC-10 is supplied directly to the Variable Frequency Controller which convert the power to 3-phase power required by the Drive Motors. The Variable Frequency Controllers can be adjusted to set the speed of the Concentrator Belt and Scrubbing / Screening Trommel.</p>
Electrical Supply Requirements	<p>Electrical Supply must be Single Phase 220V - 240V and 60Hz / 50Hz.</p> <p>The motor on the HPC-10 has is rated at 1.5kW. When considering startup / "inrush" current, we recommend a minimum of 5VA or 6kW Generator (excludes power required for electrical water pump).</p> <p>HPC-10 is supplied with Electrical Supply cable.</p> <p>Note: Electrical Generator is not supplied with the HPC-10.</p>
Water Supply Requirements	The HPC-10 requires water supply of approximately 40 gallons/minute (160 liters/minute) at a pressure of approximately 45psi (310 kPa). Any electrical, petrol or diesel powered pump capable of providing this water flow may be used. The Water Supply must be connected via a 2" hose ("lay-flat" or discharge hose) clamped onto the inlet nipple on the Water Manifold. Note: Water Pump and connection hose are not supplied with the HPC-10.
Feed material	Maximum: 6" (150 mm) minus material. Recommended: 3" (75mm) minus.
Trommel	Scrubbing & Screening Trommel is 2.8m (110") long with 0.4m (15.8") diameter and 1.65 m (65") 2-stage Scrubber. Screen is 8mm (1/3").
Dimensions	<p>Width 1.76m (69")</p> <p>Length 5.63m (222")</p> <p>Height 1.80m (71")</p> <p>Weight: 1,700 kg (3,750 lbs)</p>
Shipping info	Optimal shipping configuration: 1 X HPC-10 in 20' container. International customs code: HS #: 8474.10.00 (1) Sorting, screening, separating or washing machines
Trailer	Single-axle trailer with Pintle-hitch (40mm / 1.6" ID) – Ball Hitch available – to be specified on order.
Manning	<p>1 equipment operator required.</p> <p>Note: for safety reasons, it is always best to have at least 2 people present when operating machinery.</p>

Note: Specifications may be changed without notice

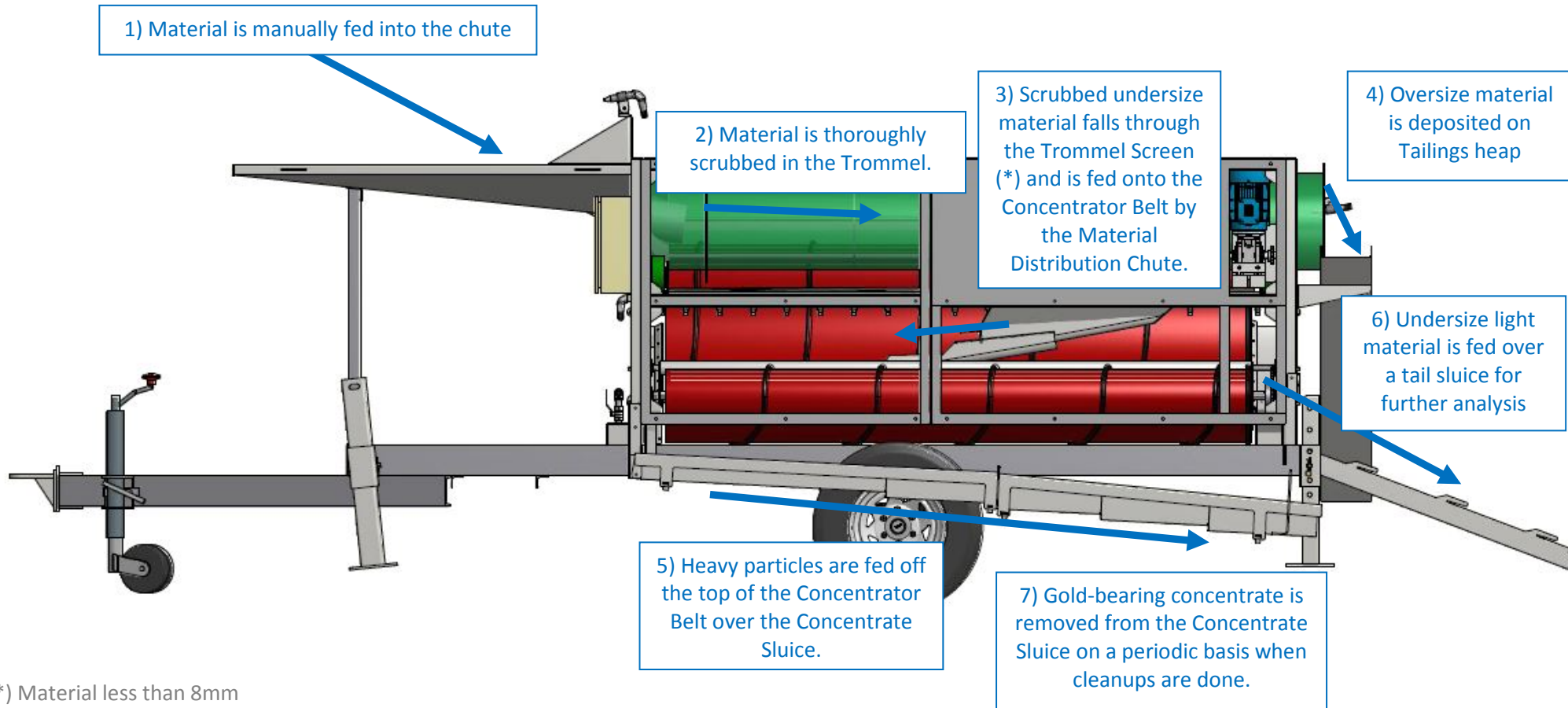


EXTRAC-TEC

HPC-10

www.extrac-tec.com

Material Flow for HPC-10





HPC-10 Production Capacity Guideline for Alluvial Gold Recovery (tons/hour)

HPC-10		
Undersize	Fine	Normal
100%	0.8 tph	1.5 tph
90%	0.8 tph	1.7 tph
80%	0.9 tph	1.9 tph
70%	1.1 tph	2.1 tph
60%	1.3 tph	2.5 tph
50%	1.5 tph	3.0 tph
40%	1.9 tph	3.8 tph
30%	2.5 tph	5.0 tph

Undersize	% of raw feed which reports to the Concentrator Belt (standard screen size is -8mm) This corresponds to #3 on Material Flow Diagram
Fine	Feed material where there is a very high % of gold particle sizes below 150 mesh / 100 microns
Normal	Feed material where the majority of gold particle are larger than 150 mesh / 100 microns

This is a guideline only – it is impossible to guarantee capacity without testing specific materials.